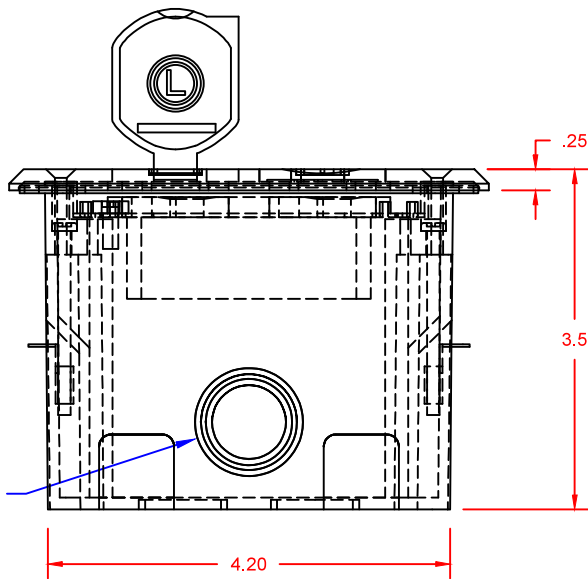
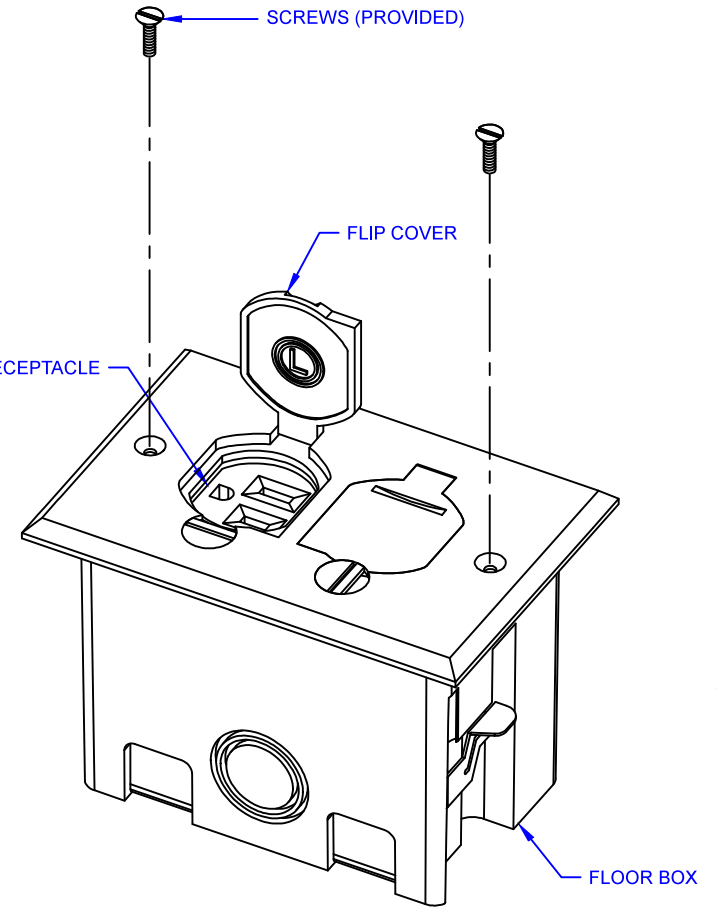
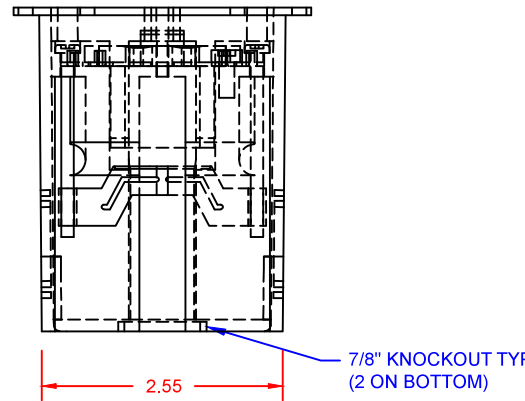



TOP VIEW



FRONT VIEW



SIDE VIEW



**LEW ELECTRIC FITTINGS COMPANY**  
SERVING THE ELECTRICAL INDUSTRY SINCE 1901

371 Randy Rd, Carol Stream, IL 60188  
PHONE: 630.665.2075

UNLESS OTHERWISE SPECIFIED:	DRAWN	NAME	DATE	<b>TITLE:</b> <b>PB1-FP</b>
DIMENSIONS ARE IN INCHES	SMK			
TOLERANCES: FRACTIONAL ± ANGULAR: MACH ± TWO PLACE DECIMAL ± THREE PLACE DECIMAL ±				
INTERPRET GEOMETRIC TOLERANCING PER:	COMMENTS:			<b>SIZE</b> DWG. NO. <b>A</b> 000001
MATERIAL				
FINISH				WEIGHT:
DO NOT SCALE DRAWING				SHEET 1 OF 1