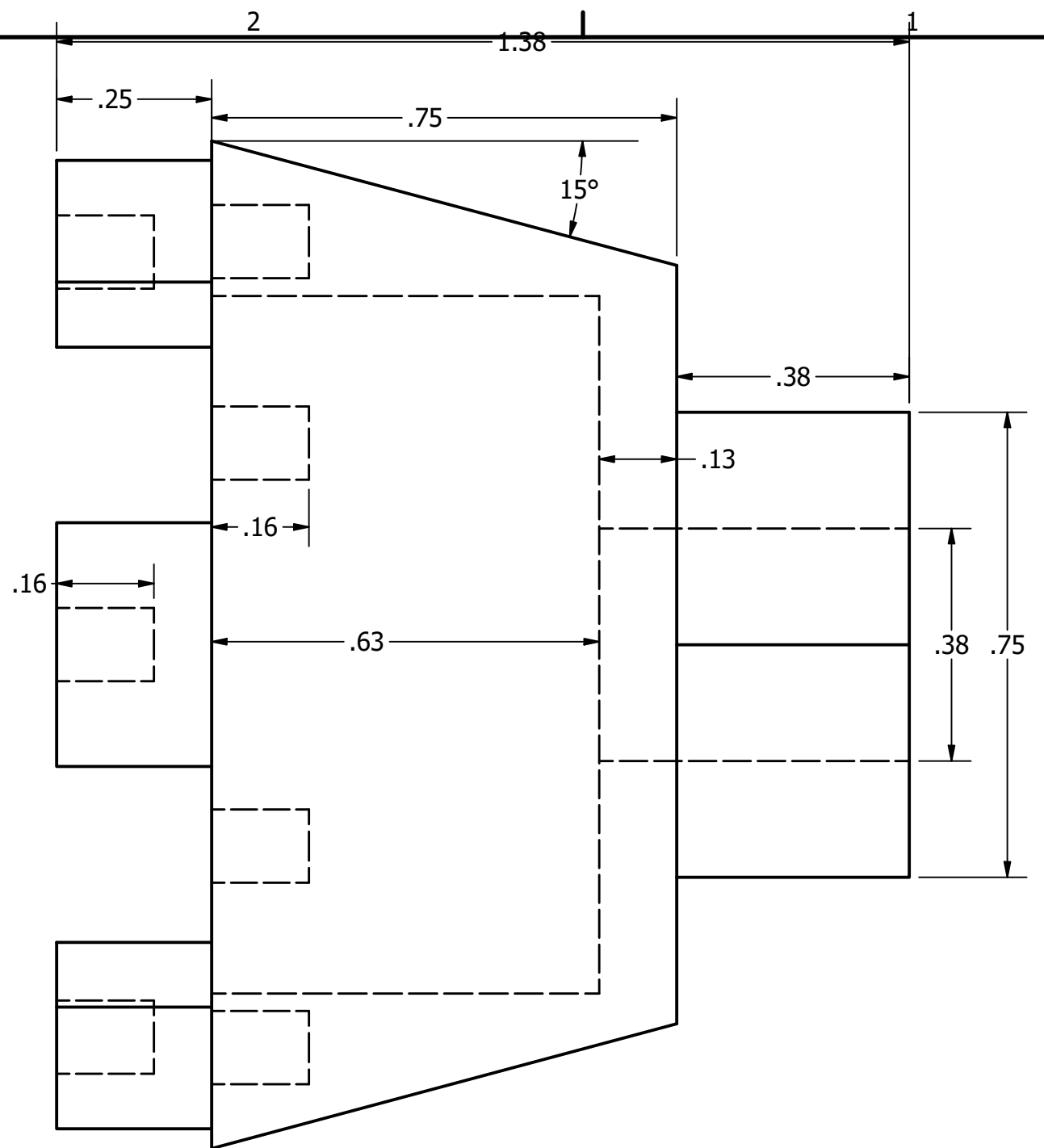


Pattern Repeats at
60 Deg Increments



DRAWN Georges Janveau	3/22/2019	TITLE		
CHECKED		Locknut Socket		
QA		SIZE B	DWG NO	REV
MFG		Locknut Socket R75		
APPROVED		SCALE 4 : 1	SHEET 2 OF 2	