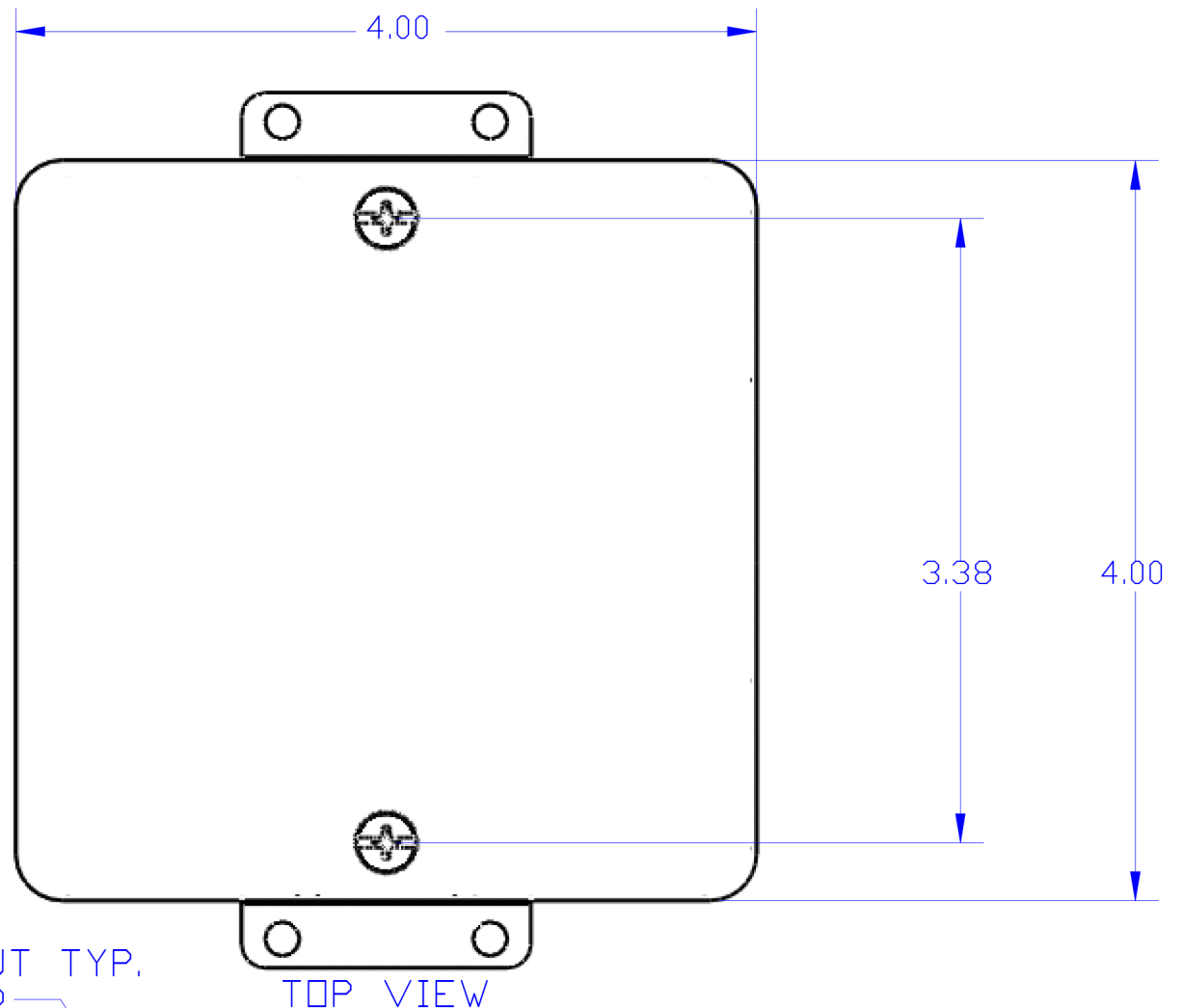
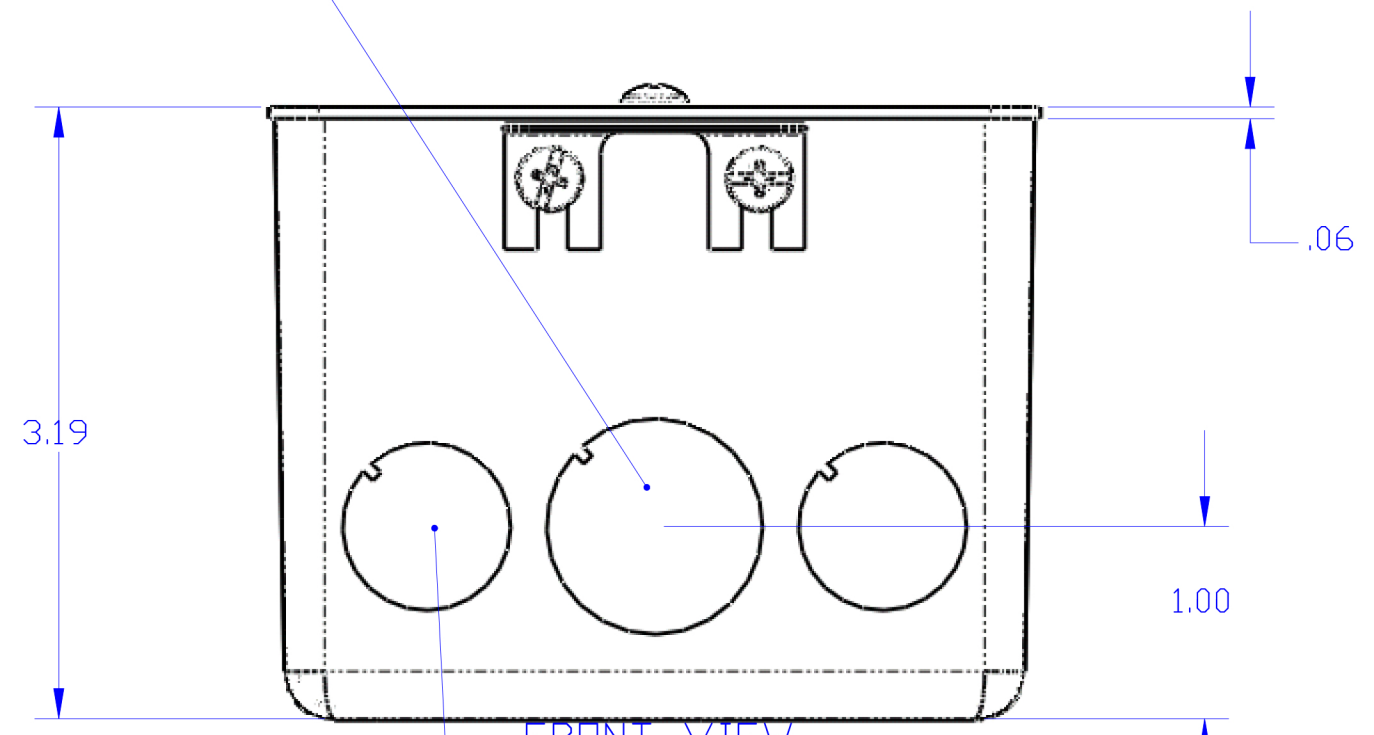


DESCRIPTION:
WOOD FLOOR BOX FOR PUFF PLATES

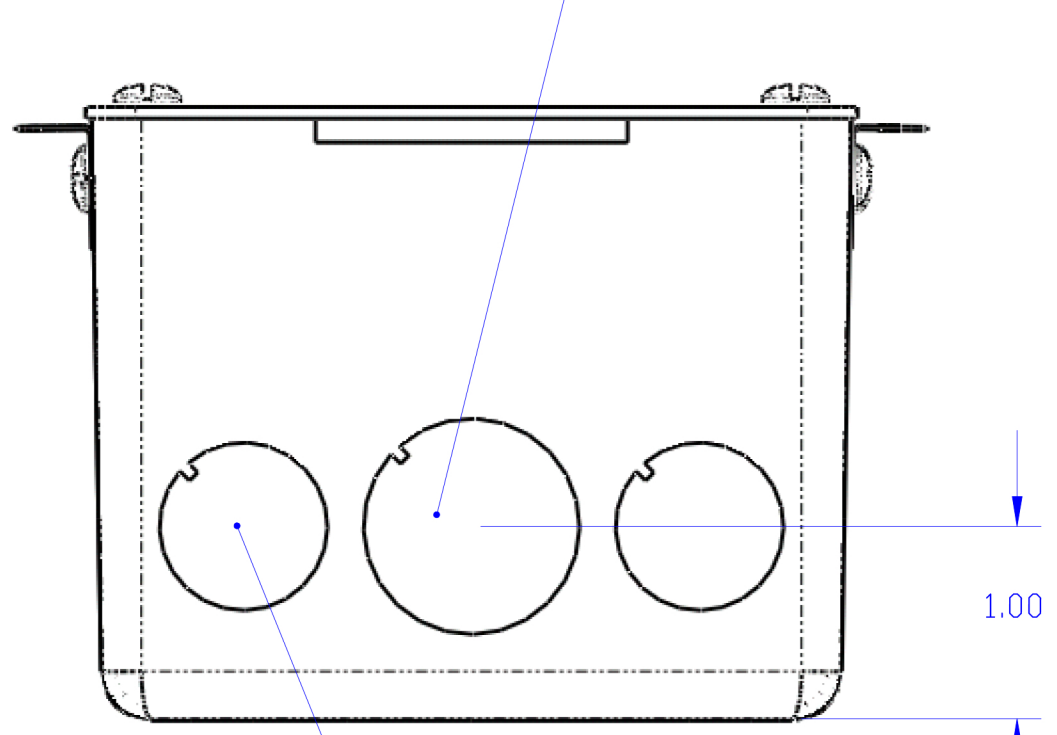


3/4" KNOCK-OUT TYP.
(OPPOSITE SIDE)

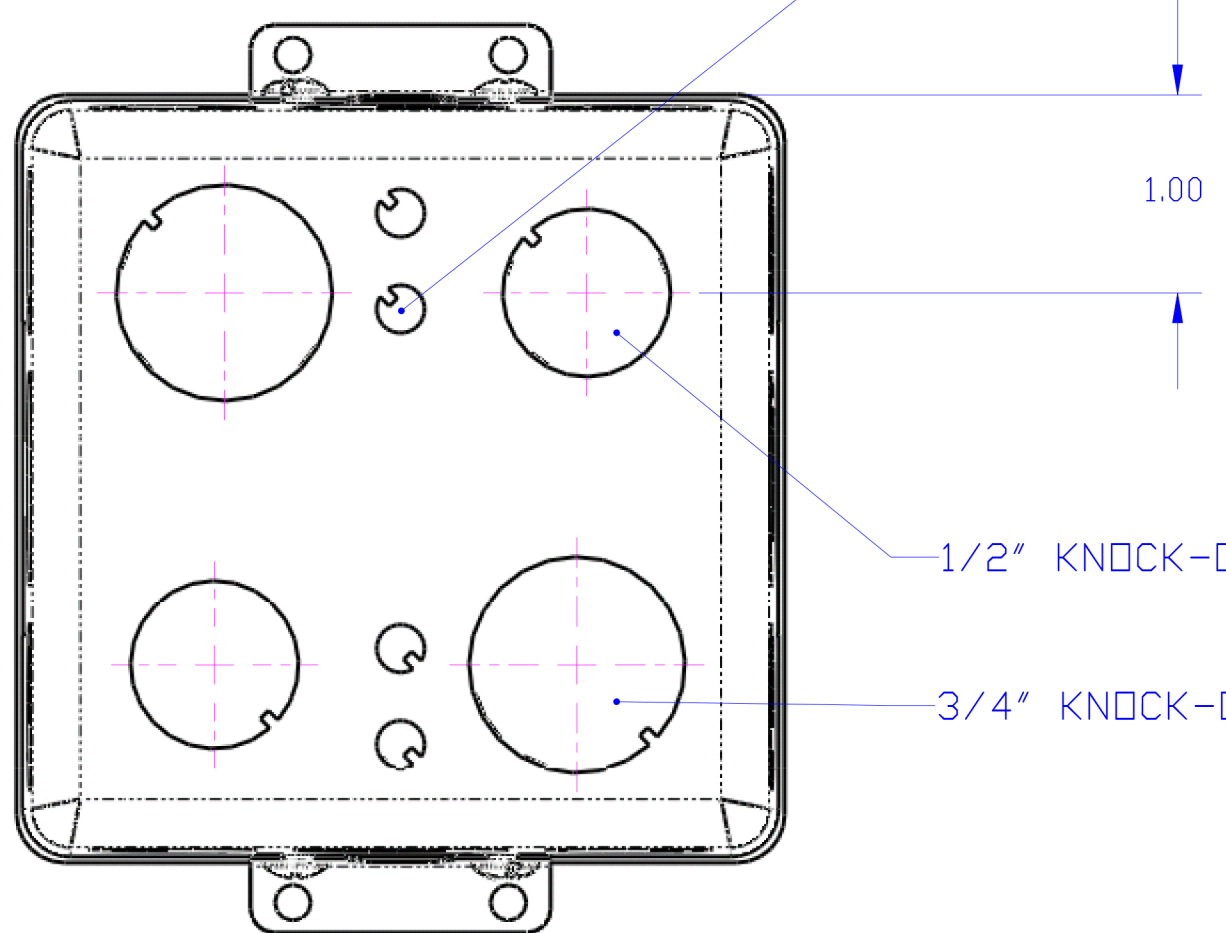


1/2" KNOCK-OUT TYP.
(OPPOSITE SIDE)

3/4" KNOCK-OUT TYP.
(OPPOSITE SIDE)



1/4" KNOCK-OUT TYP.

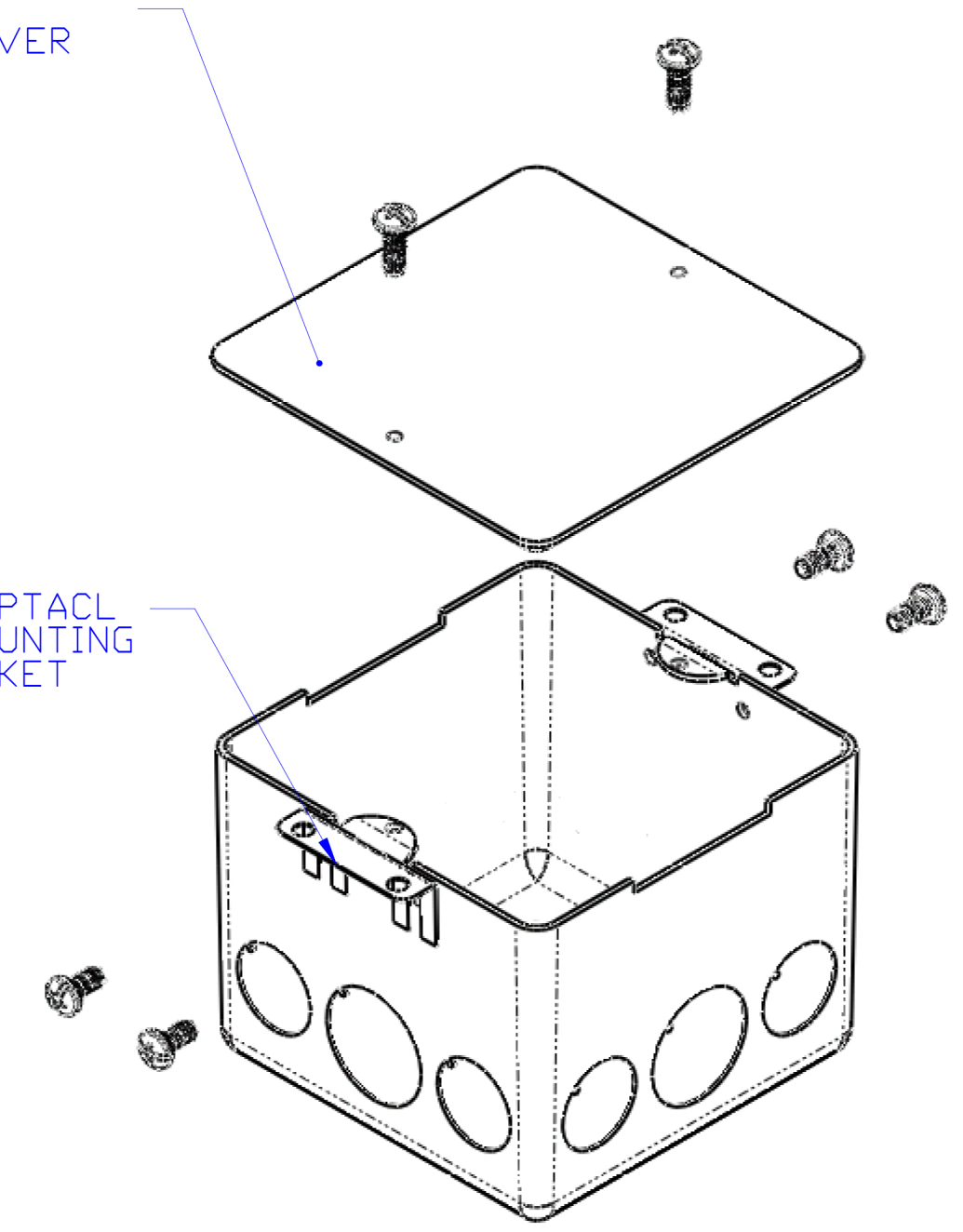


3/4" KNOCK-OUT TYP.

BOTTOM VIEW

PROTECTIVE
PLASTIC COVER

RECEPTACLE
MOUNTING
BRACKET



LEW ELECTRIC
FITTINGS COMPANY
SERVING THE ELECTRICAL INDUSTRY SINCE 1901

1801 W. St. Charles Rd. Maywood, IL 60153
PHONE: 708-345-2075

UNLESS OTHERWISE SPECIFIED:		NAME	DATE	TITLE: VPU.BK
DIMENSIONS ARE IN INCHES		DRAWN	PJG	
TOLERANCES:				SIZE DWG. NO. C 100183
FRACTIONAL: ±				
ANGULAR: MACH ± BEND ±				
TWO PLACE DECIMAL ±				
THREE PLACE DECIMAL ±				REV A
INTERPRET GEOMETRIC TOLERANCING PER:		COMMENTS:		WEIGHT: SHEET 1 OF 2
MATERIAL:				
FINISH:				
DO NOT SCALE DRAWING				