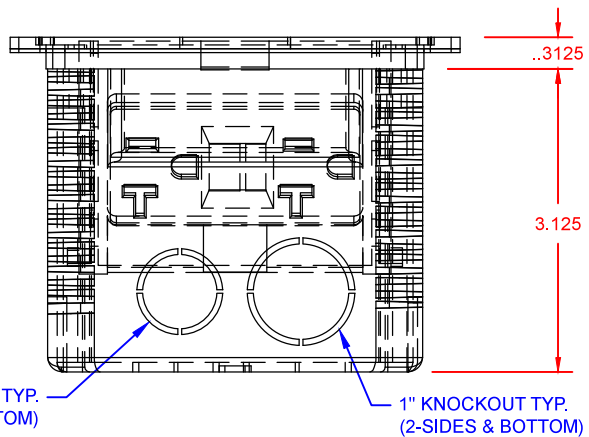
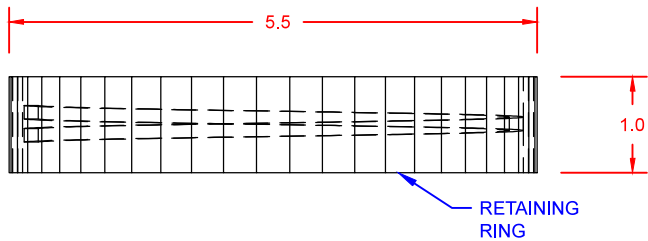


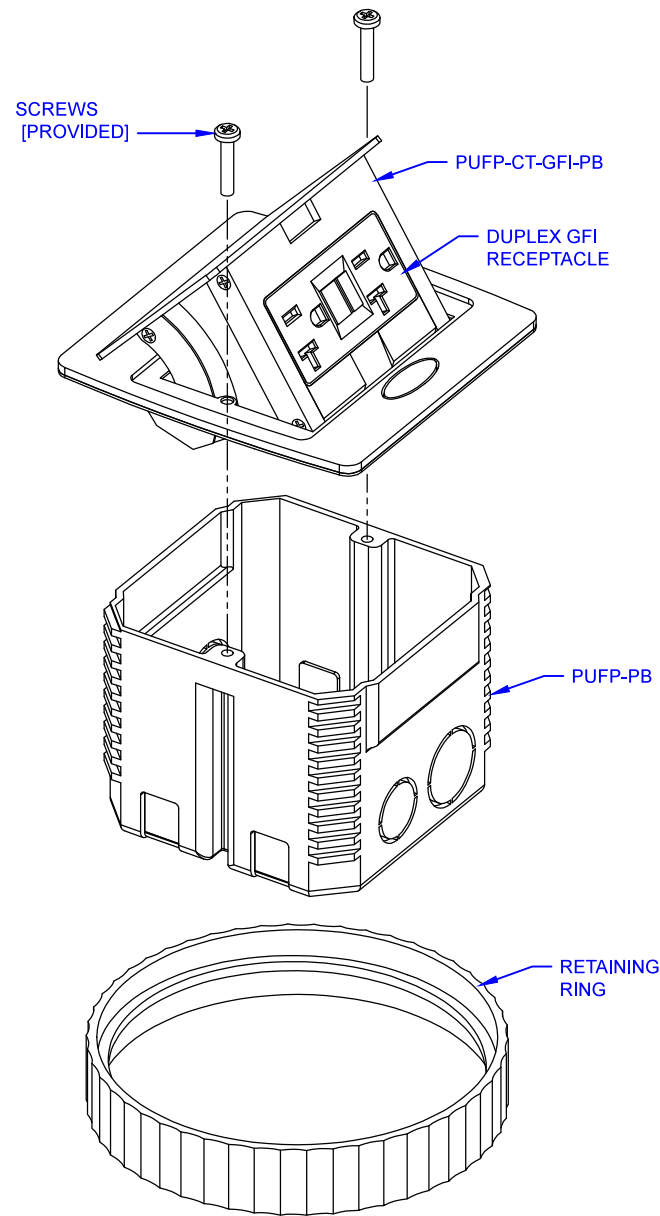
TOP VIEW




FRONT VIEW



RETAINING RING





**LEW ELECTRIC
FITTINGS COMPANY**
SERVING THE ELECTRICAL INDUSTRY SINCE 1901
371 Randy Rd, Carol Stream, IL 60188
PHONE: 630.665.2075

| | | | | |
|--------------------------------------|--|-----------|------|--|
| UNLESS OTHERWISE SPECIFIED: | | NAME | DATE | TITLE: PUFP-CT-GFI-PB |
| DIMENSIONS ARE IN INCHES: | | DRAWN | SMK | |
| FRACTIONAL ± | | | | SIZE DWG. NO. REV A 000001 A |
| TOLERANCES: | | | | |
| ANGULAR: MACH ± BEND ± | | | | |
| TWO PLACE DECIMAL ± | | | | WEIGHT: SHEET 1 OF 1 |
| THREE PLACE DECIMAL ± | | | | |
| INTERPRET GEOMETRIC TOLERANCING PER: | | COMMENTS: | | |
| MATERIAL | | | | |
| FINISH | | | | |
| DO NOT SCALE DRAWING | | | | |