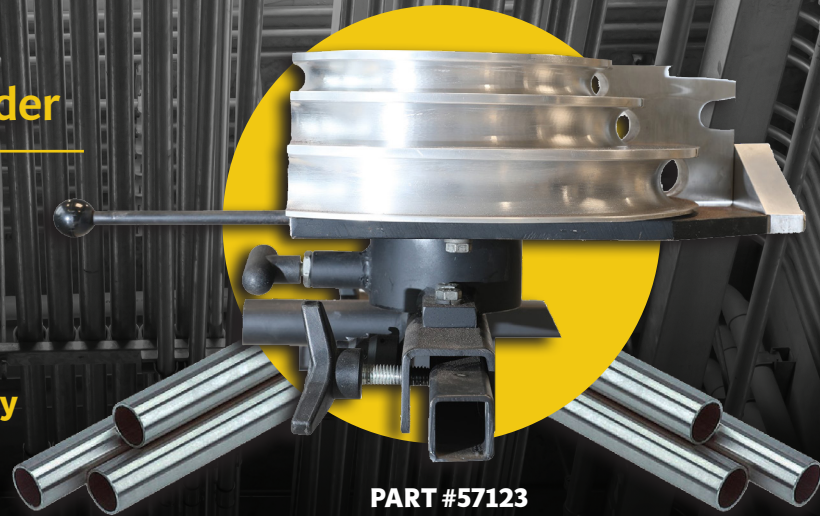


SKYBENDER

The First Lift-Mounted EMT Bender

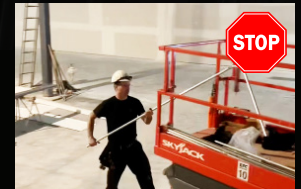
- ✓ Install Complete Conduit Systems **2x FASTER**
- ✓ Bend **1/2", 3/4" and 1"** EMT while on an aerial or scissor lift
- ✓ Save **time, energy, and improve your safety** when working in high places



PART #57123

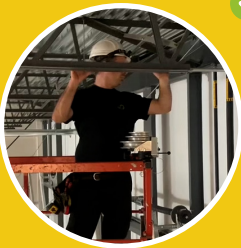


Skybender **securely clamps to the railing** of a scissor or aerial lift, reducing the need to constantly go up and down just to do a bend.



- ✓ **Work Efficiently Alone/with Helper**

If you have a helper they can do the bends on the ground while you install conduit. On your own, the Skybender leaves you lots of room to do bends while elevated on a confined platform.



- ✓ **Bend Perfect 90s on a Lift**

Equipped with bending guards ensuring each 90 degree bend is accurate and done right.



- ✓ **Ream & Straighten Pipe EASILY**

Includes a three-dimensional reamer and an integrated pipe straightener.



Common Use for the Skybender

- ✓ Bend **1/2", 3/4" and 1"** EMT conduits for electrical, control and fire alarm networks and all other EMT uses

Additional Features

- ✓ **Deburr** the end of the 1/2", 3/4" and 1' EMT conduits.
- ✓ **Straighten** 1/2", 3/4" and 1' Emt conduits when necessary.

